

GENERATOR

PARTS CATALOG

MODEL : TPG3-7000HCSA

6000VA 120/240V 60Hz

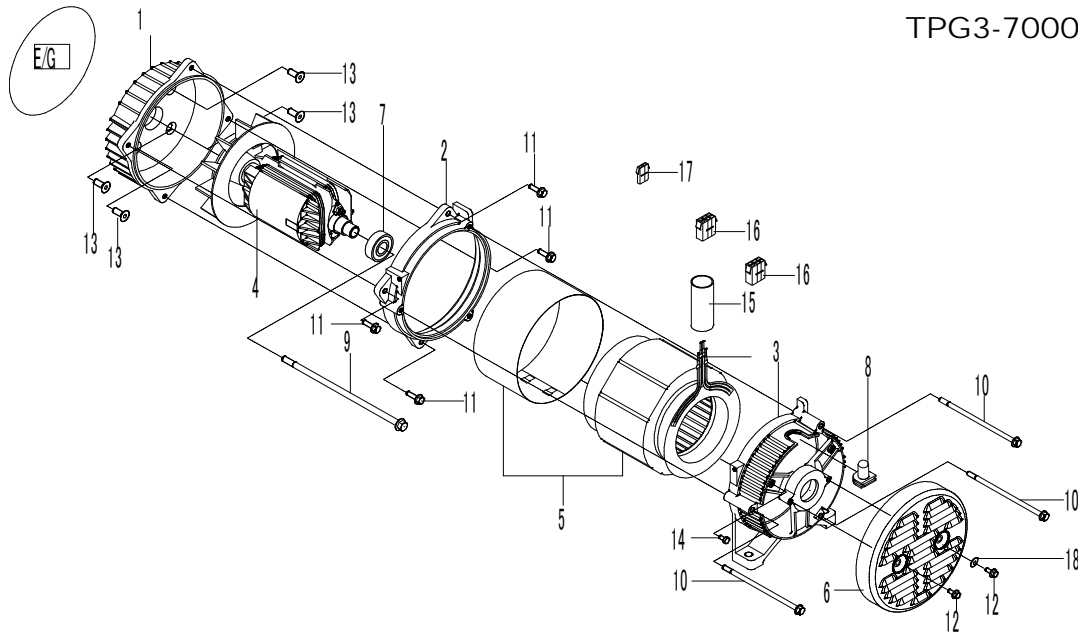


Ver.1

2009.08

ALTERNATOR

TPG3-7000HCSA

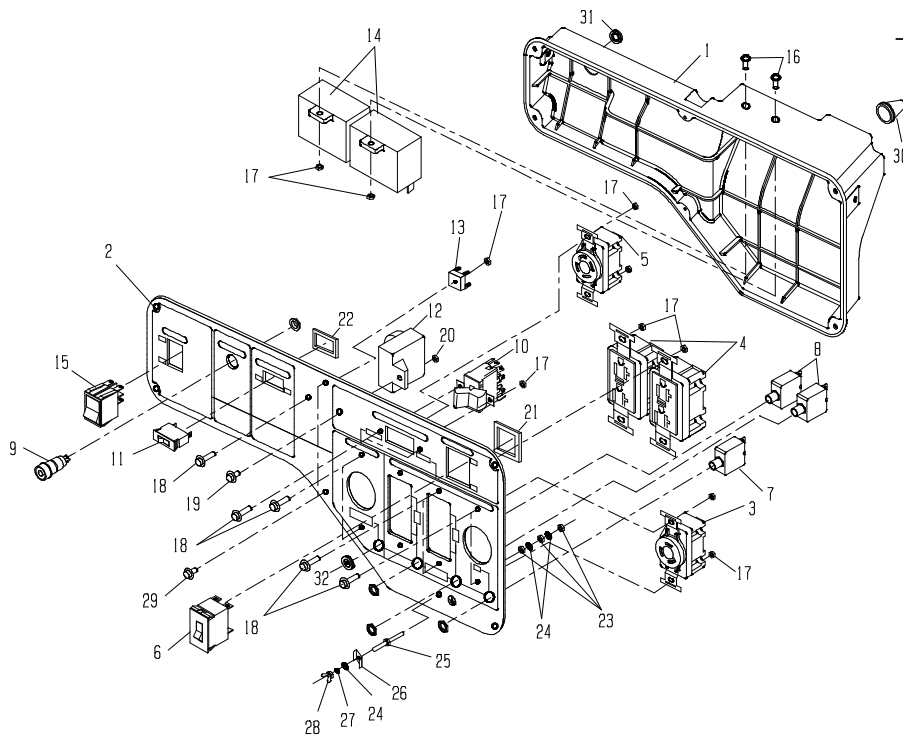


No.2R-06269

REF No.	Parts No.	Parts name	Q'ty	Price	Remarks
1	15411460000	BRACKET (1)	1		
2	15311462000	N-BRACKET	1		
3	15311461000	BRACKET (2)	1		
4	15200433000	ROTOR ASSY	1		
5	15250420000	STATOR ASSY	1		
6	15301253000	COVER,BRACKET	1		
7	15311780100	BALL BEARING	1		6205ZZ-CM-NS7 old 15350550000
8	15350583000	RUBBER BUSH	1		
9	15550156000	HEX,BOLT W/FLANGE(M10x1.25-275)	1		K3403086
10	15550153000	HEX,BOLT W/FLANGE(M6x1.0-190)	4		K3403087
11	19B30908020	HEX,BOLT W/FLANGE(M8x1.0-20)	4		
12	15550240000	BOLT,HEX HEAD WITH FLA M5-20	2		
13	19B50908020	FLAT HEAD BOLT W/SOCKET(M8x1.25-20)	4		
14	19S00905007	CROSS RECESSED HEAD SCREW(M5-7)	1		
15	15350107000	TUBE,LEAD WIRE	1		
16	15400156000	CONNECTOR 6P	2		
17	15400160000	CONNECTOR 2P	1		
18	15550164000	TOOTH LOCK WASHER (M5)	1		

CONTROL BOX

TPG3-7000HCSA

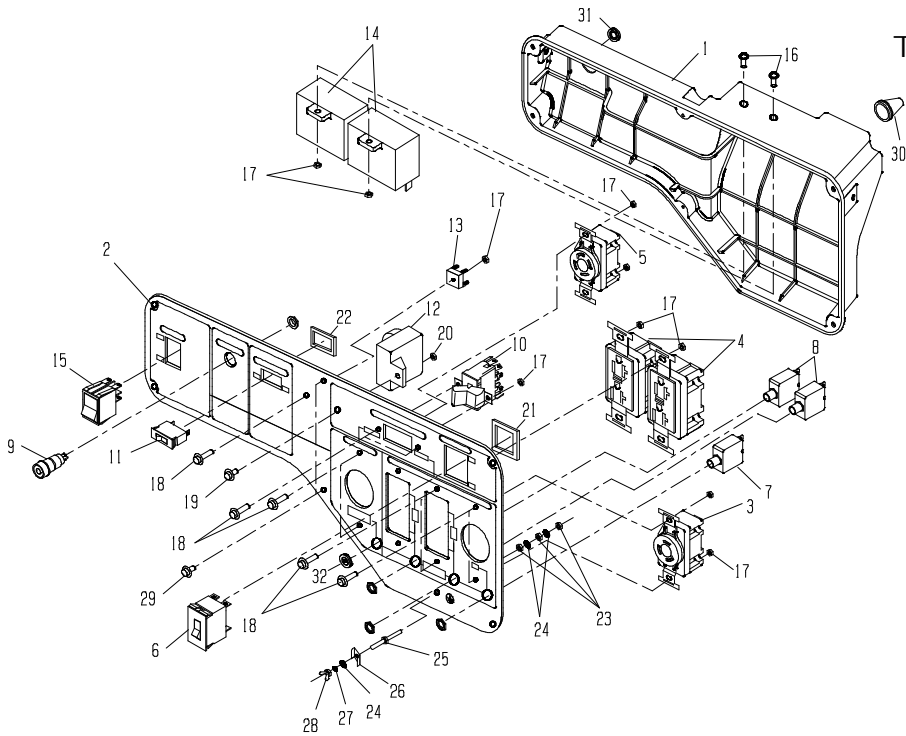


No.2R-06269

REF No.	Parts No.	Parts name	Q'ty	Price	Remarks
1	15350438010	CONTROL BOX	1		
2	15451368000	PANEL	1		
3	15400105000	RECEPTACLE 30A, 125V	1		
4	15400104000	RECEPTACLE 20A, 125V	2		
5	15400106000	RECEPTACLE 30A, 125/250V	1		
6	15400103000	CURCUIT BREAKER 25A	1		
7	15400173000	CURCUIT BREAKER 30A	1		
8	15400171000	CURCUIT BREAKER 20A	2		
9	85111573300	NEON BRACKET	1		
10	15400143000	SWITCH,VOLTAGE SELECTOR	1		
11	15400108000	SWITCH,AUTO THROTTLE	1		
12	19600700660	CONTROL UNIT,AUTO THROTTLE	1		
13	15400240000	BRIDGE DIODE	1		
14	15400177000	CONDENSOR ASSY,18 μ F	2		
15	15400253000	ENGINE SWITCH	1		
16	19SS4904012	CROSS RECESSED HEAD SCREW (M4-12)	2		
17	19N10904000	HEX,NUT W/FLANGE M4	13		
18	19SF4904014	CROSS RECESSED HEAD SCREW (M4-14)	11		
19	19SF4906015	CROSS RECESSED HEAD SCREW (M6-15)	1		
20	19N10906000	HEX,NUT W/FLANGE M6	1		
21	15301081001	SPACER IBR-2	1		
22	15301082001	SWITCH SPACER	1		
23	19N10905000	HEX,NUT W/FLANGE (M5)	3		
24	19W00905000	FLAT WASHER (M5)	3		
25	15550168001	STUD BOLT (M5)	1		
26	15301034000	CAP WASHER (M5)	1		
27	19W10905000	LOCK WASHER (M5)	1		
28	19N60905000	WING NUT (M5)	1		

CONTROL BOX

TPG3-7000HCSA

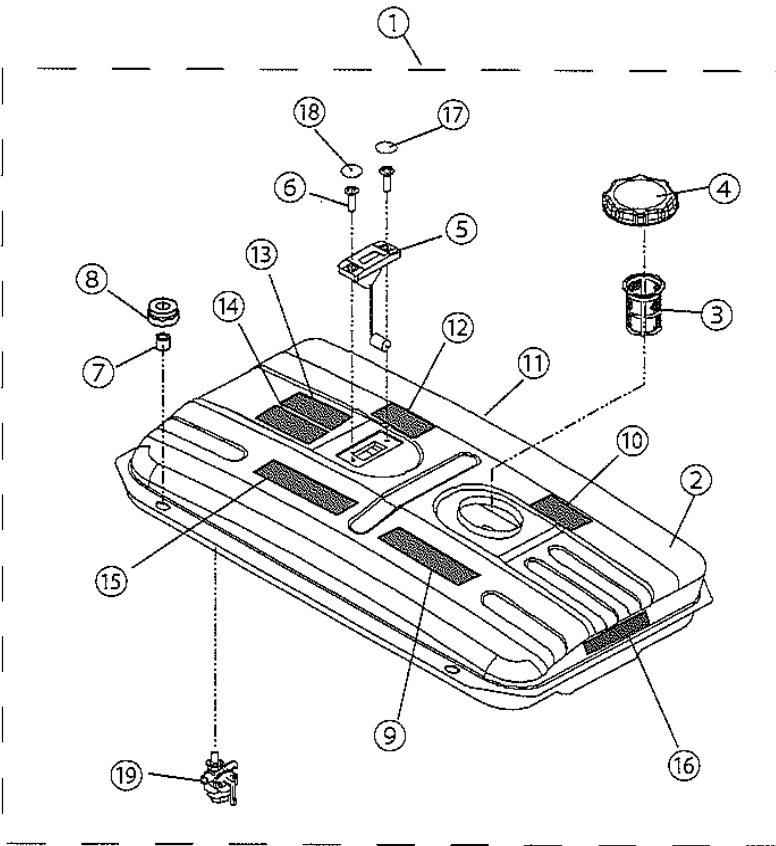


No.2R-06269

REF No.	Parts No.	Parts name	Q'ty	Price	Remarks
29	19S21904012	SCREW, SELF TAP M4-12	3		
30	15321880130	GROMMET PANEL LEAD #2	1		
31	15350472000	GROMMET	1		
32	15350337000	GROMMET	1		

FUEL TANK

TPG3-7000HCSA

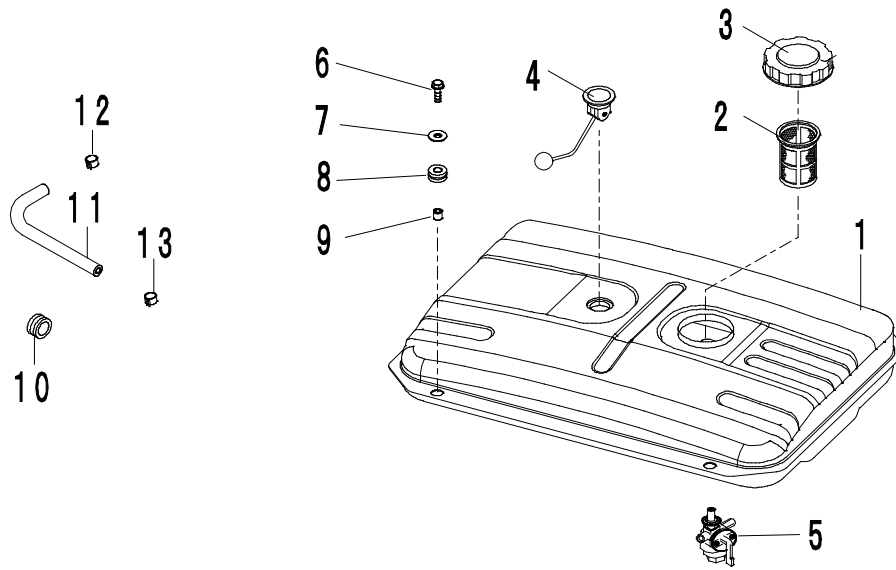


No.2R-06269

REF No.	Parts No.	Parts name	Q'ty	Price	Remarks
1	15602177000	FUEL TANK ASSY	1		
2	15601451040	FUEL TANK	1		
3	15350580000	FILTER COMP., FUEL	1		
4	15301673000	CAP COMP., FUEL FILLER	1		
5	15301674000	GAUGE ASSY., FUEL	1		
6	15550293000	SCREW M5-12	2		
7	15321880100	RUBBER, TANK CUSHION	4		
8	15321670270	COLLAR, TANK CUSHION	4		
9	15450966001	WARNING LABEL	1		
10	15450764001	CAUTION LABEL, RAIN & SNOW	1		
11	15450958001	CAUTION LABEL, CO	1		
12	15451389000	CAUTION LABEL	1		
13	87516-ZH7-000	WARNING LABEL, EXHAUST GAS(ENGLISH)	1		
14	87516-ZH7-800	WARNING LABEL, EXHAUST GAS(FRENCH)	1		
15	87522-883-660	CAUTION LABEL, FIRE	1		
16	87516-ZH7-810	WARNING LABEL, EXHAUST GAS(MARK)	1		
17	15451644000	GAUGE LABEL, EMPTY	1		
18	15451643000	GAUGE LABEL, FULL	1		
19	15150135000	FUEL COCK	1		

FUEL TANK

TPG3-7000HCSA

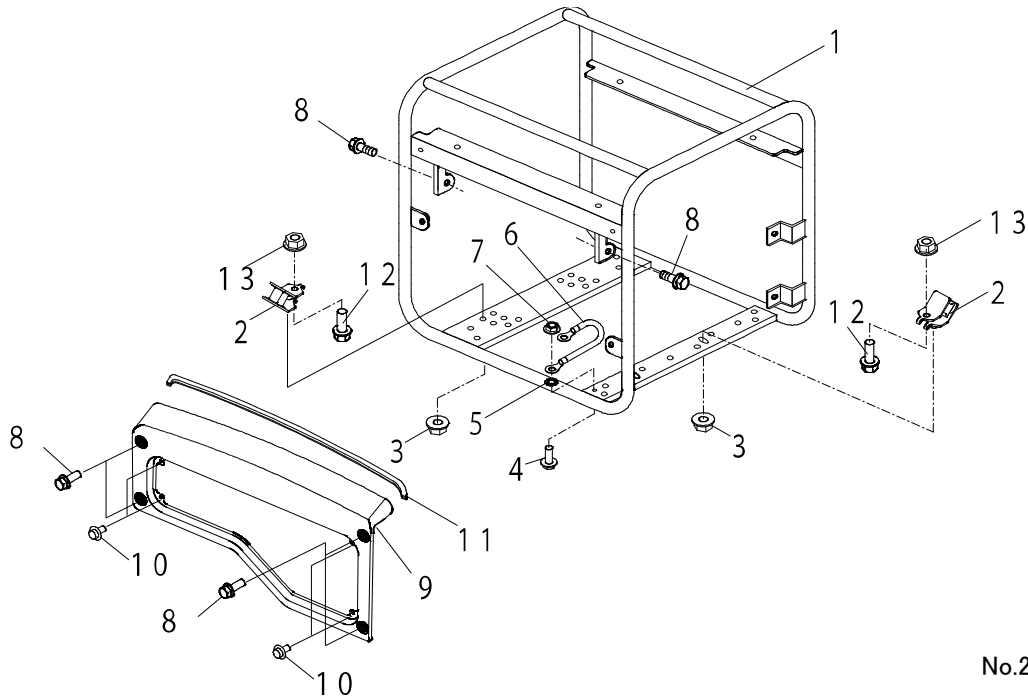


No.2R-06269

REF No.	Parts No.	Parts name	Q'ty	Price	Remarks
1	15601377000	FUEL TANK(BLUE) W/LABELS	1		
2	15350343000	FILTER COMP., FUEL	1		
3	15301046000	CAP COMP., FUEL FILLER	1		
4	15350504000	GAUGE ASSY., FUEL	1		
5	15150104000	FUEL COCK	1		
6	19B30906025	HEX,BOLT W/FLANGE (M6×1.0-25)	4		
7	19W00906025	WASHER,TANK CUSHION (M6×25,1.0t)	4		
8	15321880100	RUBBER,TANK CUSHION	4		
9	15321670270	COLLAR,TANK CUSHION	4		
10	90854-ZB2-0000	RUBBER,FUEL TUBE	1		HONDA PART
11		TUBE,FUEL	1		HONDA PART
12	95002-02080	CRIP B8, TUBE	1		HONDA PART
13	15301192000	CRIP,TUBE	1		

FRAME

TPG3-7000HCSA



No.2R-06269

REF No.	Parts No.	Parts name	Q'ty	Price	Remarks
1	15301158001	FRAME	1		
2	200900520	ANTI-VIBRATION RUBBER	4		
3	203200010	HEX,NUT W/FLANGE(M8X1.25)	4		
4	19B30906012	HEX, BOLT W/FLANGE (M6x12)	1		
5	19W50906000	TOOTH LOCK WASHER(M6)	1		
6	15501130000	BONDING WIRE	1		
7	19N10906000	HEX, NUT W/FLANGE (M6)	1		
8	19SS6906016	BOLT, M6-16	6		
9	15301138010	CASE, CONTROL(BLUE)	1		
10	15550185000	CROSS RECESSED HEAD SCREW(M5-15)	4		
11	15350471000	RUBBER, CONTROL	1		
12	203000720	HEX, BOLT W/FLANGE (M10x45)	4		
13	203200020	HEX,NUT W/FLANGE(M10X1.25)	4		